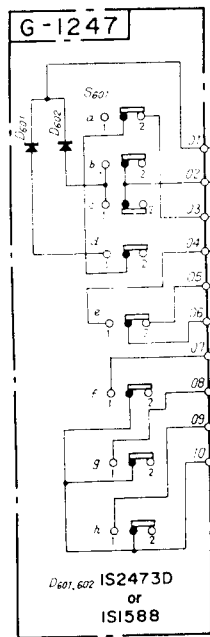
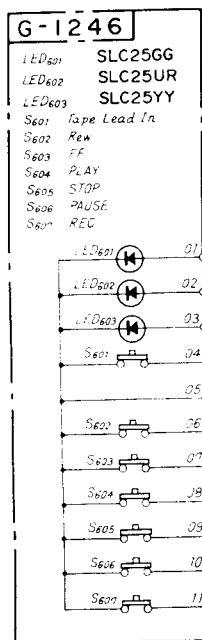
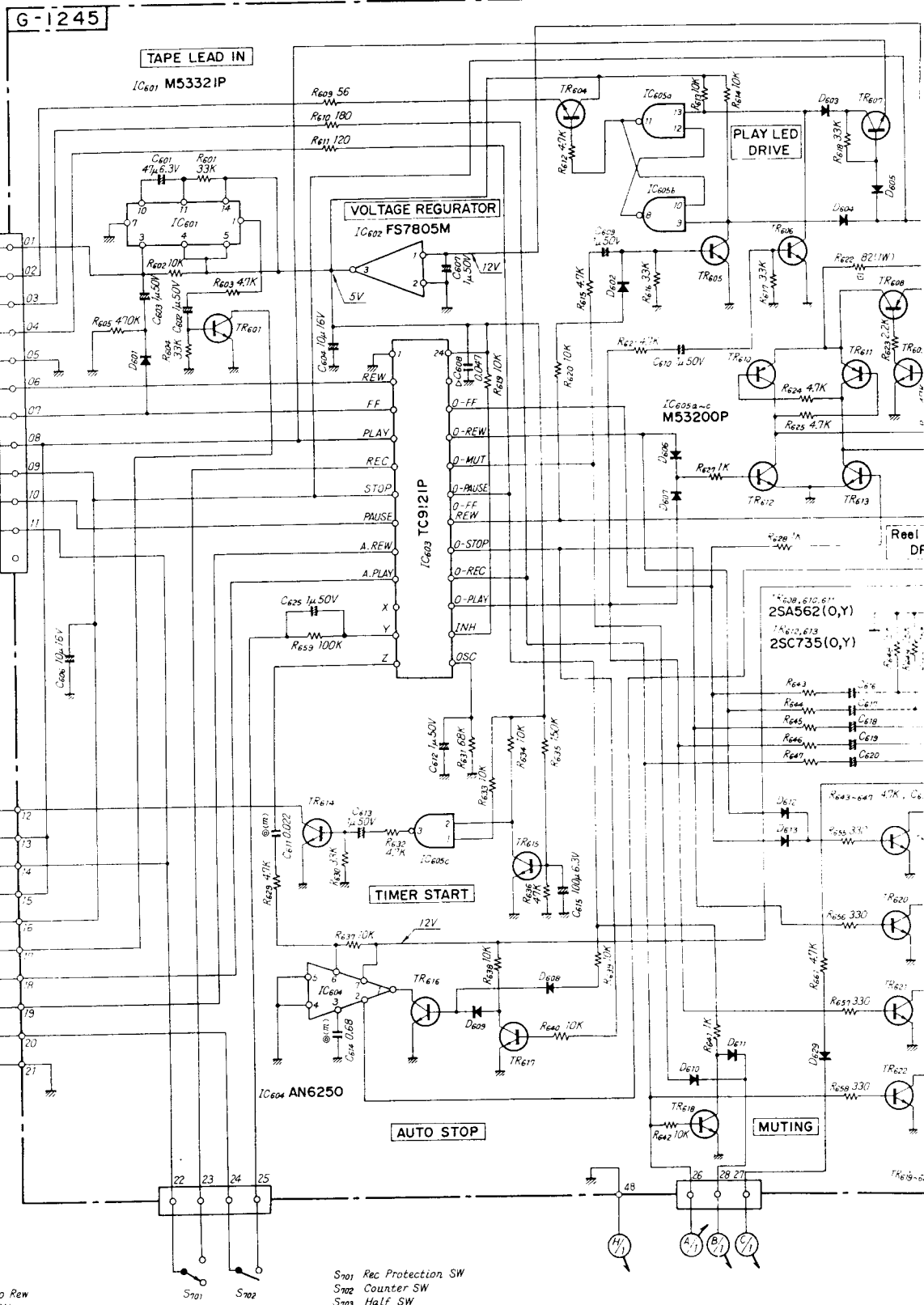


SANSUI SC-5300, SC-5330, SC-77, SCHEMATIC DIAGRAM



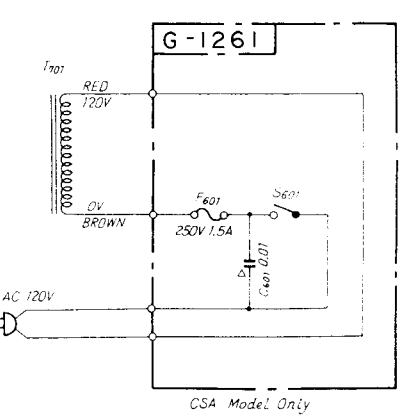
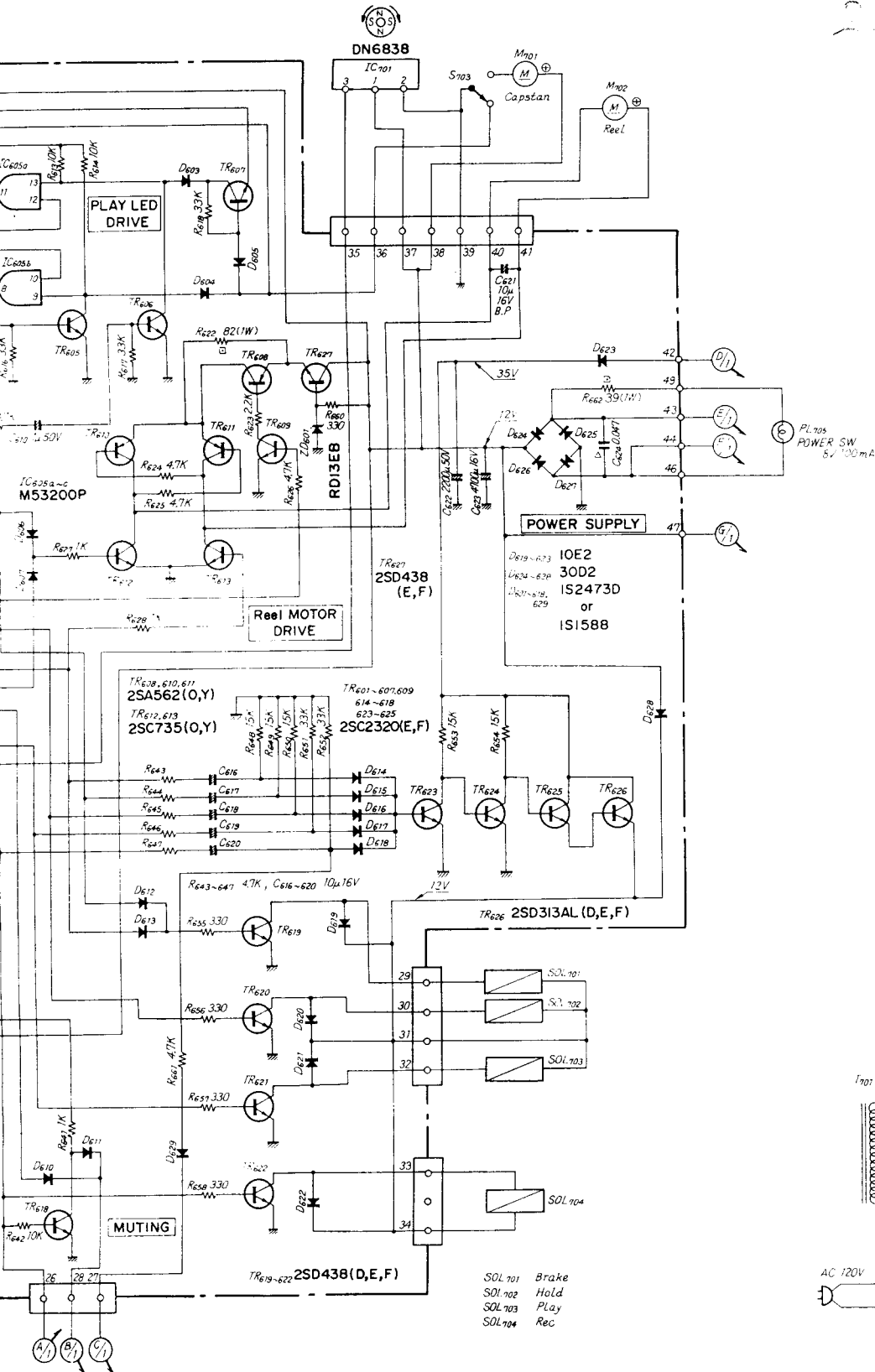
- G-1247
- | | | | |
|--------------------------------|--------|----------------------------|--------|
| S _{501a,b} Timer Play | 1. ON | S _{501g} Auto Rew | 1. ON |
| | 2. OFF | | 2. OFF |
| S _{501c,d} Timer Rec | 1. ON | S _{501h} Memory | 1. ON |
| | 2. OFF | | 2. OFF |
| S _{501e,f} Auto Play | 1. ON | | |
| | 2. OFF | | |



S₅₀₁ Rec Protection SW
 S₅₀₂ Counter SW
 S₅₀₃ Half SW

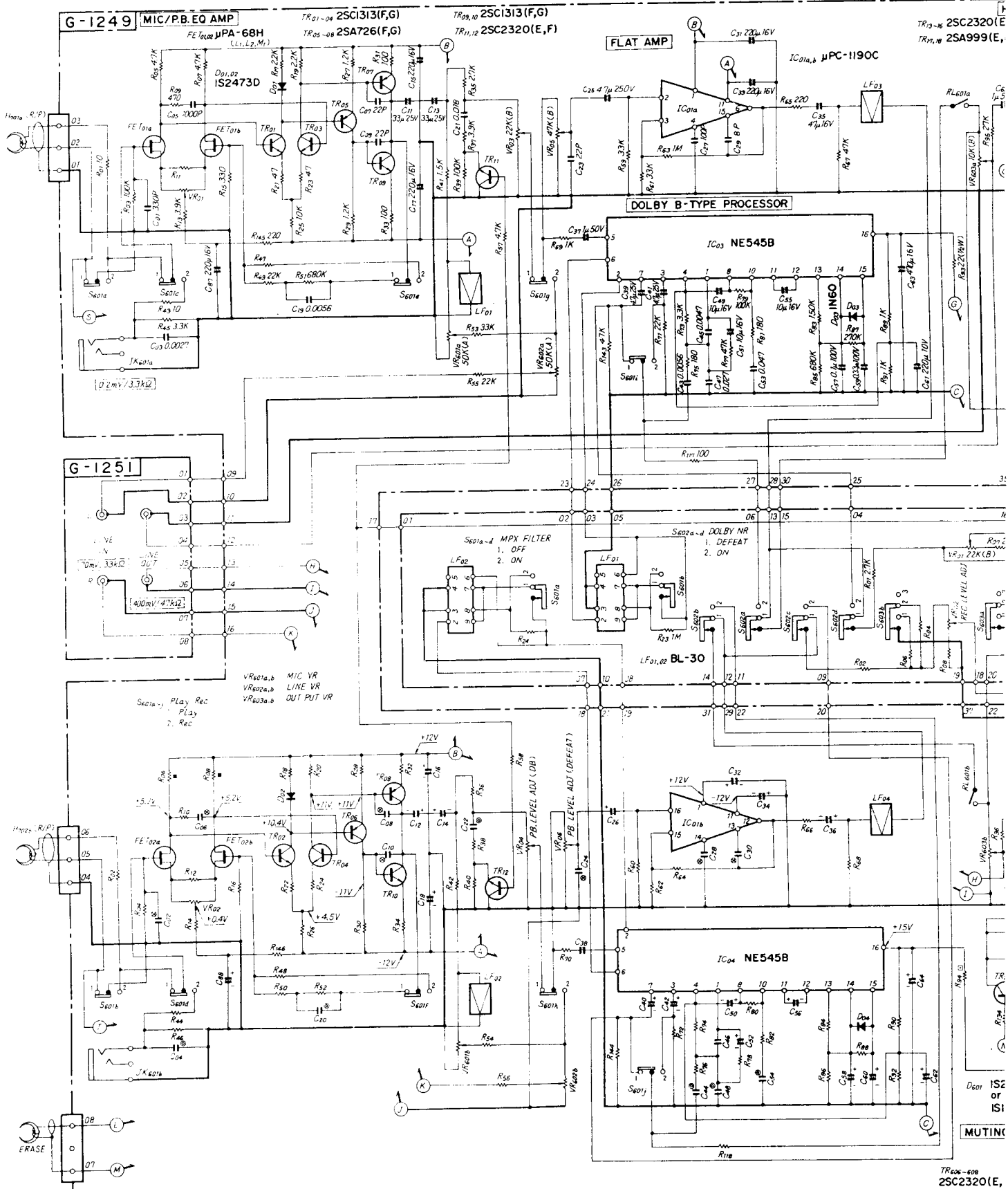
Each D.C Voltage shows the nominal value in during recording

- Design and specifications subject to change without notice for improvement.
- La présentation et les spécifications sont susceptibles d'être modifiées sans préavis par suites d'améliorations éventuelles.
- Änderungen, die dem technischen Fortschritt dienen, bleiben vorbehalten.



- SOL 701 Brake
- SOL 702 Hold
- SOL 703 Play
- SOL 704 Rec

SANSUI SC-5300, SC-5330, SC-77, SCHEMATIC DIAGRAM



SYMBOL
 ● Mylar
 □ Polystyrene
 ⊕ Non Flammable Resistor
 ■ Metal Film Resistor

RESISTORS
 Are in ohms, 1/4 Watts Tolerance Unless otherwise
 Noted K:KΩ, M: MΩ
CAPACITORS
 Are in μF Unless otherwise Noted P:pF

Each D.C. Voltage shows the nominal value in during recording

TR09-10 2SC1313(F,G)
 TR11,12 2SC2320(E,F)
 TR13-16 2SC2320(E)
 TR17,18 2SA999(E,F)

IC01a,8 μPC-1190C
 IC03,4 NE545B
 IC01b μPC-1190C

LF01,02 BL-30
 LF03
 LF04

S601a-d MPX FILTER
 S601g

VR01a,b MIC VR
 VR02a,b LINE VR
 VR03a,b OUT PUT VR

S601a Play Rec
 Play
 Rec

S601a
 S601b
 S601c
 S601d
 S601e
 S601f
 S601g
 S601h
 S601i

JK601a

H001a (R,P)
 H001b (R,P)
 H001c (R,P)
 H001d (R,P)
 H001e (R,P)
 H001f (R,P)
 H001g (R,P)
 H001h (R,P)
 H001i (R,P)
 H001j (R,P)
 H001k (R,P)
 H001l (R,P)
 H001m (R,P)
 H001n (R,P)
 H001o (R,P)
 H001p (R,P)
 H001q (R,P)
 H001r (R,P)
 H001s (R,P)
 H001t (R,P)
 H001u (R,P)
 H001v (R,P)
 H001w (R,P)
 H001x (R,P)
 H001y (R,P)
 H001z (R,P)

- Design and specifications subject to change without notice for improvement.
- La présentation et les spécifications sont susceptibles d'être modifiées sans préavis par suites d'améliorations éventuelles.
- Änderungen, die dem technischen Fortschritt dienen, bleiben vorbehalten.

